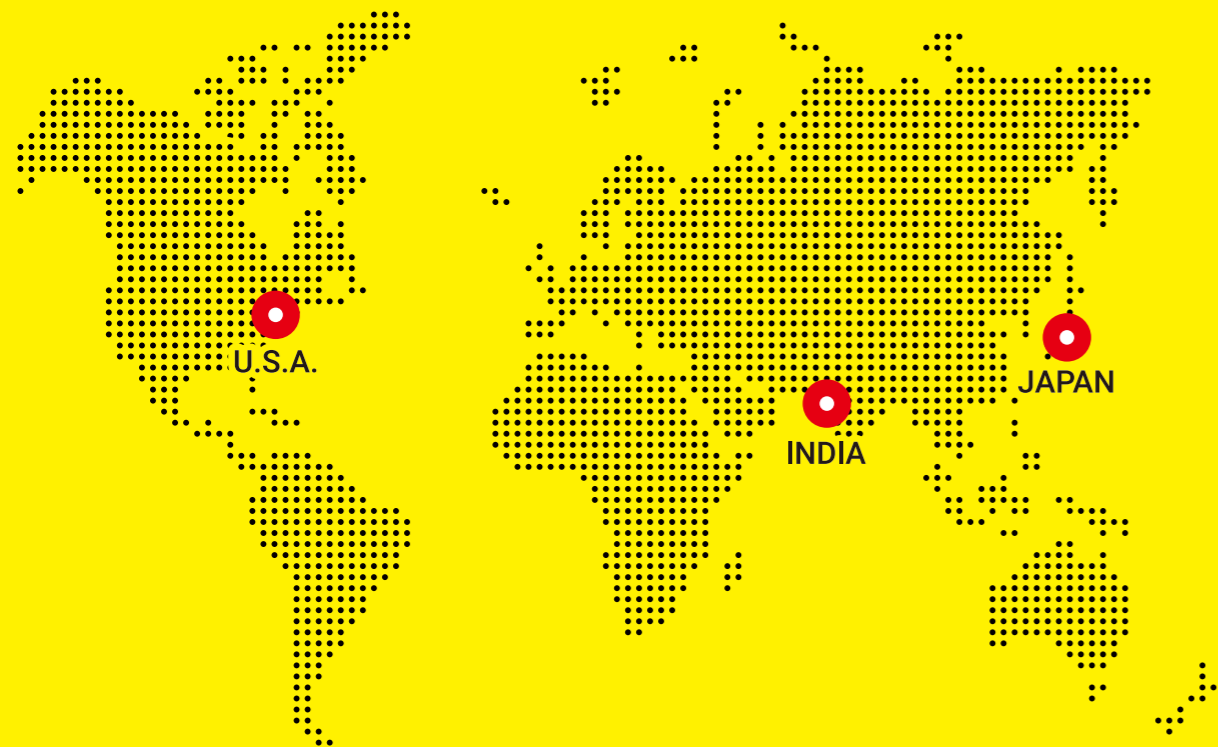


PRODUCT CATALOG

Better **Attachments**
for your excavators!!

36th
Anniversary



 **UEDA INDUSTRIES CO., LTD**

《UEDA Worldwide Network》

Branch in India (UEDA India Pvt. Ltd.): Mumbai, Maharashtra, INDIA

Shop No.21, Plot No. F-3, Sector 6, New Panvel East, Panvel, Panvel, Raigarh(MH), 410206 Maharashtra,
Phone No. 089-760-58981 / email Id: kulkarni@ueda-india.com

Branch in USA (UEDA America Inc.): 8 The Green, Dover, DE 19901 USA

Headquarter (JAPAN: UEDA Industries Co., Ltd.):

4-3-3 Sawaraginishi, Ibaraki, Osaka JAPAN



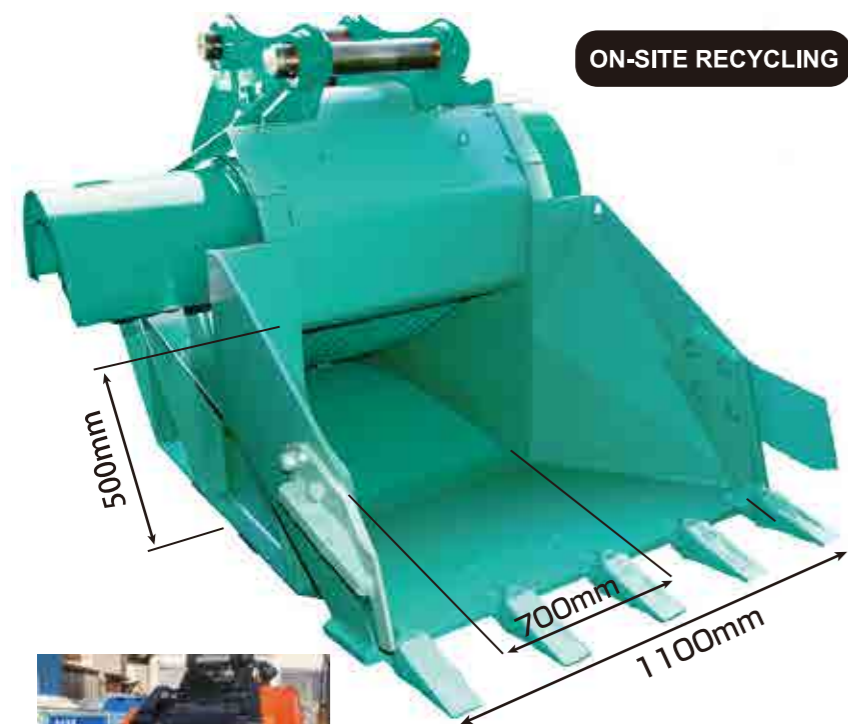
www.ueda-industries.com


UEDA
UEDA INDUSTRIES CO., LTD

BUCKET CRUSHER

Drain line is necessary.

Video here →



ON-SITE RECYCLING



Magnet is Optional



Discharge
15~120mm Adjustable



40mm Crusher-Run Stone



Color optional

Direct drive motor

This is first direct drive motor Crusher. Compared with other European manufacturer's belt drive system Direct drive system's maintenance is much easier.

Rotation reversible

By reversing the rotation, clogged materials can be easily released. Rock's compression strength below 1500kg is crushable.

Jaw plates changeable

The upper and lower jaw plates can be exchanged with each other, and the rear and front sections can also be exchanged.

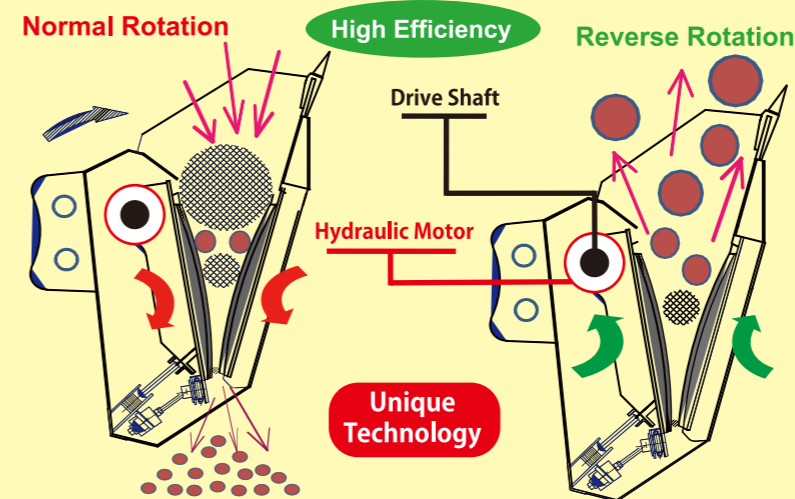


Patented Countries



Direct Drive Position

when stuck back to normal at once by using reverse rotation

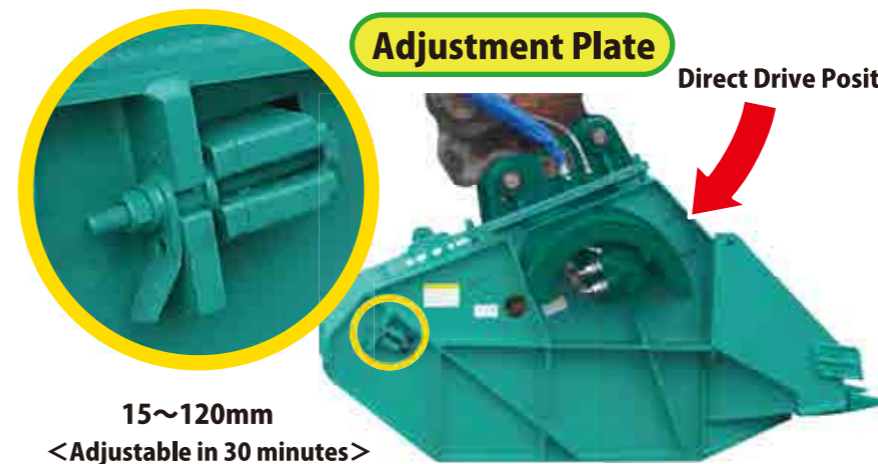


Big Concrete can also be crushed!



Adjustment Plate

Direct Drive Position



15~120mm

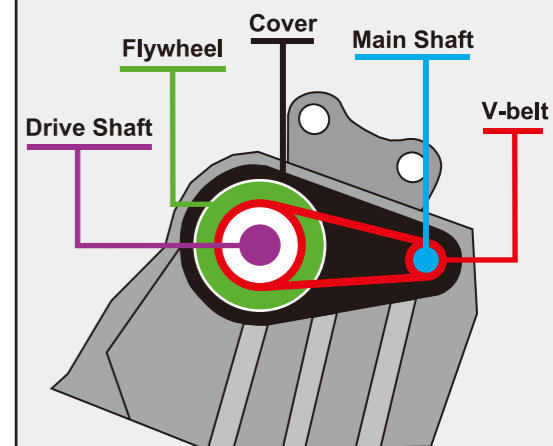
<Adjustable in 30 minutes>

Model	UJ-120	UJ-200	UJ-300	UJ-400
Excavator Weigh (t)	10~15	20~25	30~40	40~45
Bucket Capacity (m3)	0.35	0.6	0.9	1.1
Oil Pressure (Mpa)	24.5	24.5	24.5	24.5
Oil Flow (l/min)	90	150	230	260
Feeding Size (mm)	550x450	700x500	900x500	900x650
Adjustment Size (mm)	15~120	15~150	15~150	15~150
Dimensions (mm)	1820x1080x1200	2246x1380x1440	2400x1660x1500	2815x1660x1700
Overall Weight (kg)	1500	2600	3500	4200
24 Magnet (Option)	300x400	500x400	600x500	700x500

Other companies with V-belt drives

Low Work Efficiency
High Maintenance expenses

- ① Wear out of the V-belt (about 500 hours)
- ② Remove the huge cover and adjust tension of V-belt (about 100 hours each)



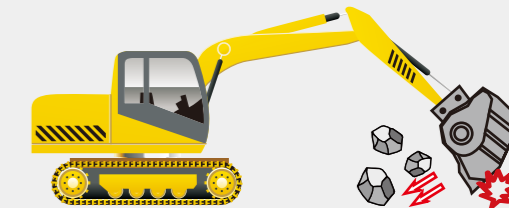
V-belt always slip and stop when overloaded

When stuck

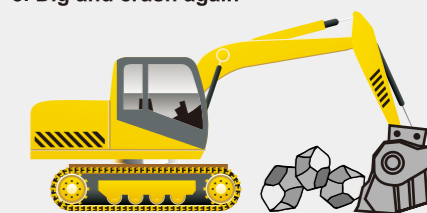
1. Stop Operation



2. Knock on the ground and force the crusher to spit stucked things out



3. Dig and crush again



SUPER BUCKET CRUSHER

NEW

BUCKET CRUSHER - Large Opening Model -

Amazing Production by using Two Pump Confluence (Increased by 1.5 - 2 times)

More durable with New type of Jaw Plates (Straight and Curved one side each)

PRODUCTION INCREASED 1.5 TIMES
(COMPARE WITH OTHER COMPANIES)

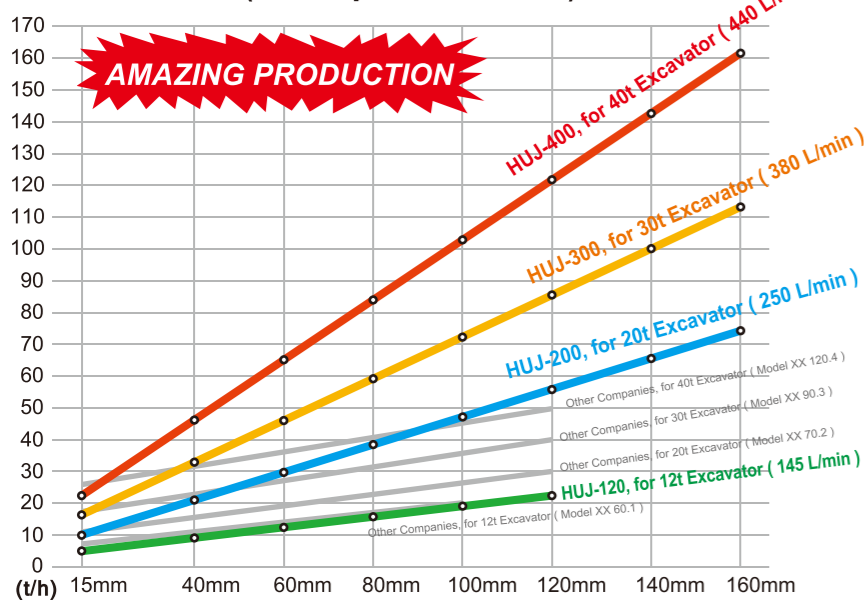
NEW RELEASE

MOTOR SPEED REACH 500 RPM

FEATURE

- By using **Double Pump Confluence**, excavator's utmost performance can be reached. (Motor speed over 400rpm)
- Bold design of **Direct Drive Motor**, almost no transmission power loss.
- Only our products can do normal and reverse rotation at once. With reverse rotation, clogged materials can be easily released.
- Easier maintenance with **Direct Drive Motor** design.
- 24V magnet is optional.
- Return line is necessary.

Production on Medium Tenacity Material (Under Optimal Conditions)

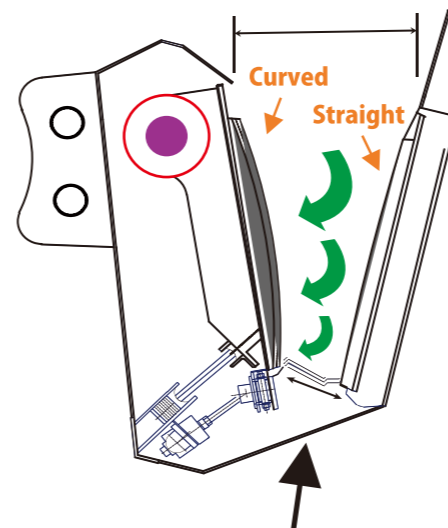


Model	15mm	40mm	60mm	80mm	100mm	120mm	140mm	160mm
HUJ-120	7.87	11.89	13.86	16.71	18.65	21.93		
HUJ-200	11.12	21.09	29.97	38.85	47.73	56.63	65.12	74.37
HUJ-300	16.97	31.82	45.22	58.62	72.62	85.42	98.64	112.22
HUJ-400	23.82	45.35	64.95	83.55	102.65	121.75	142.15	159.95

Model	HUJ-120	HUJ-200	HUJ-300	HUJ-400
Excavator Weight (t)	10~15	20~25	30~40	40~50
Bucket Capacity (m3)	0.4	0.6	0.9	1.1
Oil Pressure (Mpa)	24.5	24.5	24.5	24.5
Oil Flow (l/min)	145	250	380	440
Feeding Size (mm)	550x450	700x500	900x500	900x650
Adjustment Size (mm)	15~120	15~150	15~150	15~150
Dimensions (mm)	1820x1080x1200	2246x1380x1440	2400x1660x1500	2815x1660x1700
Overall Weight (kg)	1550	2700	3600	4300
24 Magnet (Option)	300x400	500x400	600x500	700x500



Feeding Size: 700 x 700mm



Output Size: 150 ~ 300mm

FEATURE

- Larger opening size (700x700mm) which can load larger concrete.
- Larger discharge size (150 to 300mm) makes more production, about 3 to 5 times than normal hydraulic pulverizer.
- Normal crush is possible if replace the toggle plate.
- Special design of the Jaw Plates, one is curved one is straight.

Model	KUJ-200	KUJ-300	KUJ-400
Excavator Weight (t)	20 ~ 25	30 ~ 35	40 ~ 50
Bucket Capacity (m3)	0.7	0.8	1.25
Oil Pressure (Mpa)	24.5	24.5	24.5
Oil Flow (l/min)	150	230	260
Feeding Size (mm)	700 x 700	900 x 900	1100 x 900
Output Size (mm)	150 ~ 300	150 ~ 300	150 ~ 300
Overall Weight (kg)	3,000	4,300	5,500

BUCKET SHREDDER

Video here →



Volume reduction before waste treatment. Size from 50,100,150mm

Advantages

- This product is mainly used for crushing waste and reducing the volume before further treatment
- Plastic sheets, Woven sacks, Waste plastic, Tatami, Car tyre, Waste wood, etc. all can be crushed.
- Thumb cover can push and squeeze materials to the rotor, which will raise the work efficiency.
- With the tooth on the cover, this product can be used as a gripper.
- Thumb cover can prevent splash and keep scraps inside the bucket.
- Based on the requirement, Blades are choseable from 50mm, 100mm and 150mm.
- Drain line is necessary.



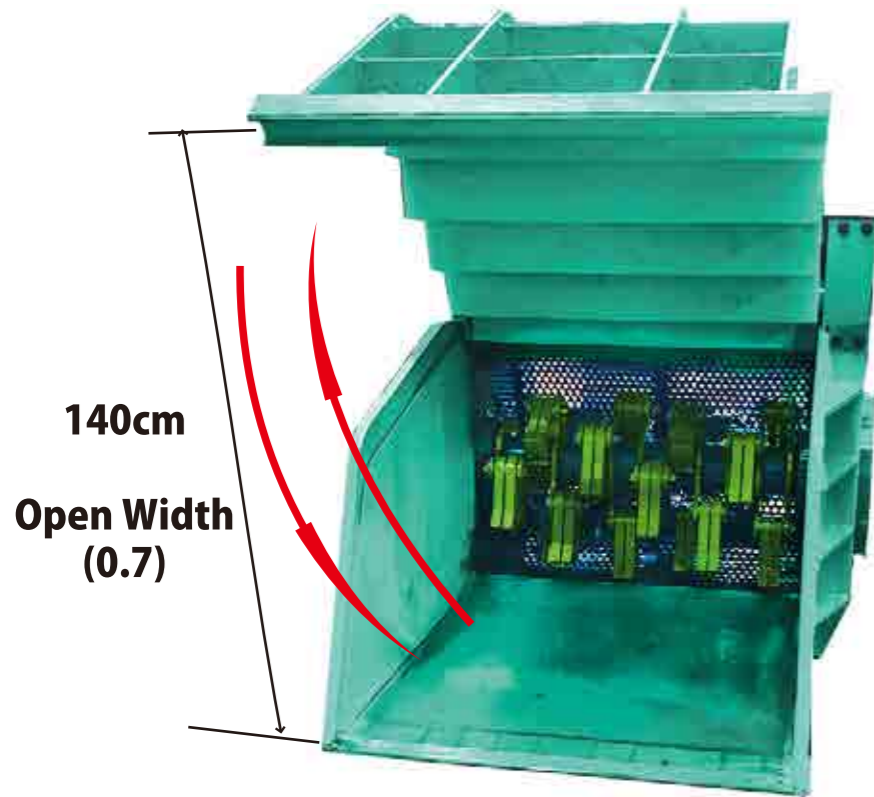
Model	NSB-120	NSB-200	NSB-300
Excavator Weight (t)	10~15	20~25	30~35
Rotor Diameter (mm)	400	400	500
Rotor Length (mm)	800	1200	1400
Rotor Speed (rpm)	30~120	30~120	30~120
Max. Opening Width (mm)	1050	1450	1700
Overall Height (mm)	1500	1900	2300
Overall Weight (kg)	1250	2200	3000

BUCKET SAND CRUSHER

Video here → 

BUCKET SMASHER

Video here → 



[Features]

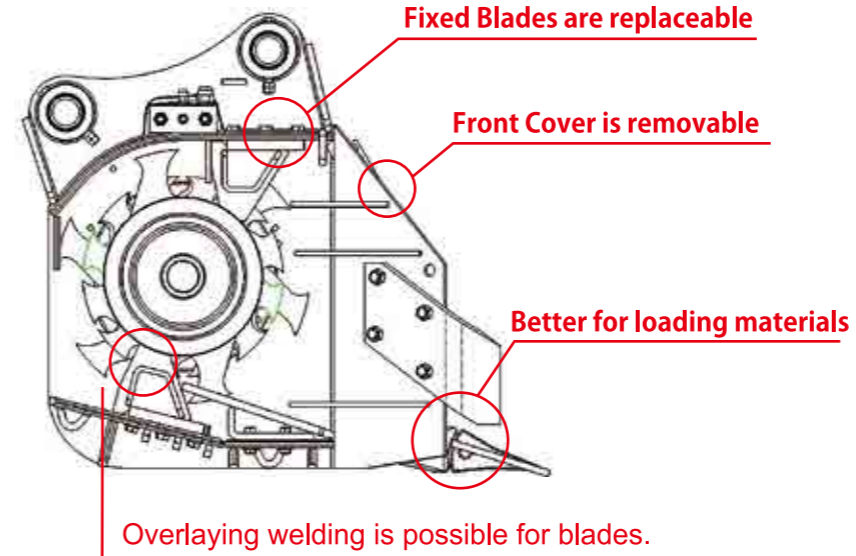
Crush rotors can do the sand crush, after crush the waste come out from the net!



Model	BSC-120	BSC-200	BSC-300
Excavator Weight (t)	12-15	18-23	25-30
Bucket Capacity (m³)	0.4	0.6	1.0
Hammer Nife (個)	24	36	52
Bucket Width inside (cm)	78	110	160
Open Width (cm)	110	140	170
Oil Flow (ℓ/min)	120	170	200
Hydraulic Pressure (MPa)	28	28	28
Dimension (cm)	130×170×130	160×215×160	240×300×240
Weight (kg)	1600	2950	4200

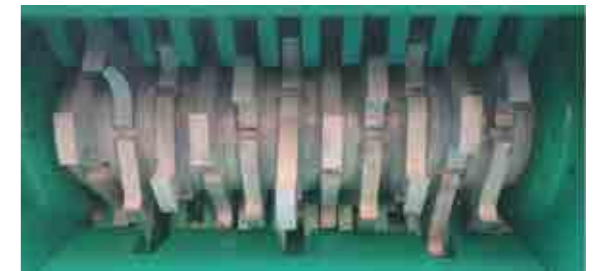


Bucket Cover Type (Optional)



Advantages

- This product is mainly use for crushing concrete waste.
- Blades are made of HARDOX
- Direct drive motor makes normal and reverse rotation possible.
- Overlaying welding is possible for blades.
- Waste concrete, waste plastic, wood pallet, tatami, tile can be crushed.
- Drain line is necessary.

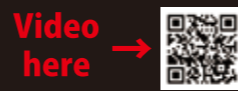


Model	UF-70	UF-120	UF-200	UF-300
Excavator Weight (t)	6 ~ 7	10 ~ 15	20 ~ 25	30 ~ 40
Bucket Capacity (m3)	0.2	0.38	0.55	0.85
Rotor Speed (rpm)	100	100	100	100
Oil Pressure (Mpa)	28	32	32	32
Oil Flow (ℓ/min)	100	180	300	350
Opening Size (mm)	700 x 400	900 x 500	1300 x 650	1500 x 700
Discharge size (mm)	150	150	150	150
Overall Dimensions (mm)	900 x 900 x 900	1100 x 950 x 1000	1440 x 1130 x 1250	1600 x 1600 x 1600
Overall Weight (kg)	700	1200	2010	3000
Production Efficiency (t/h)	1 ~ 3	2 ~ 5	4 ~ 7	6 ~ 10

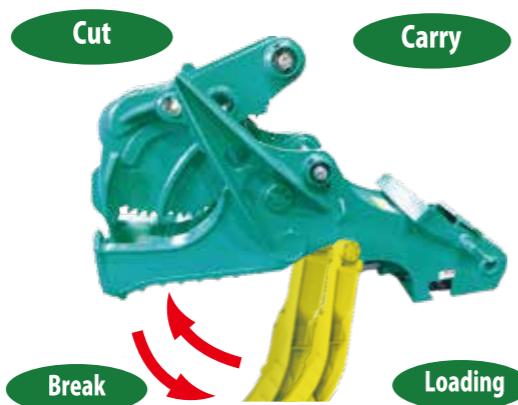
Bucket Hopper (Optional)



CLAMP ALLIGATOR TX



Make it be chips and boost up the working efficiency

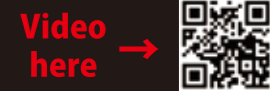
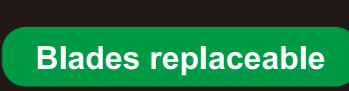


Cutting Blade



機種	WRY-70/ FWRY-70	WRY-120/ FWRY-120	WRY-200/ FWRY-200
Excavator Weight (T)	6-7	10-15	20-25
Cutter Blade	Saw Blade	Saw Blade	Saw Blade
Max. Opening Size (cm)	41	82	100
Max. Cut Diameter (cm)	30	40	60
Fork Open Width (cm)	90	120	150
Dimensions (cm)	150×39×80	217×48×125	250×62×140
Overall Weight (kg)	350/600	800/1100	1100/1800

CUTTER PRINCE

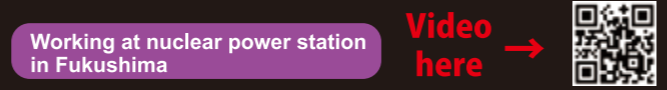


Advantages

- Best for volume reduction of mixed waste.
- Larger opening width.
- Blades are all replaceable.
- Magnet is optional.

Model	CP-70	CP-120	CP-200
Excavator Weight (t)	6 ~ 7	10 ~ 15	20 ~ 25
Blades Length (mm)	450	600	750
Opening Size (mm)	520	770	810
Oil Pressure (Mpa)	28	28	28
Overall Weight (kg)	600	1000	1600

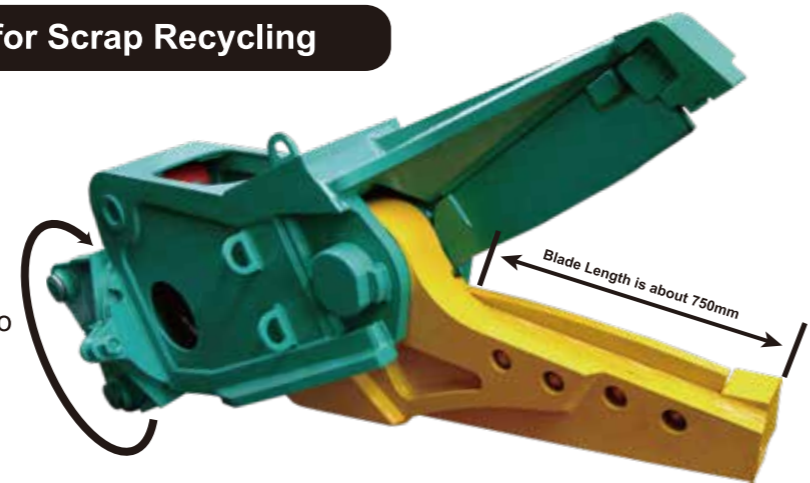
RUBLADE CUTTER



Movable Blade Structure, Suitable for Scrap Recycling

Advantages

- Disk Spring Structurer of Blades
- Body and blade are all build with HARDOX.
- Piano wire, 300mm H-beam, rock, concrete, wire rope, quenched steel, etc. are not able to be cut off, which may damage the blade.
- Fixed and free rotation type are available



H-Beam Steel: 500×200

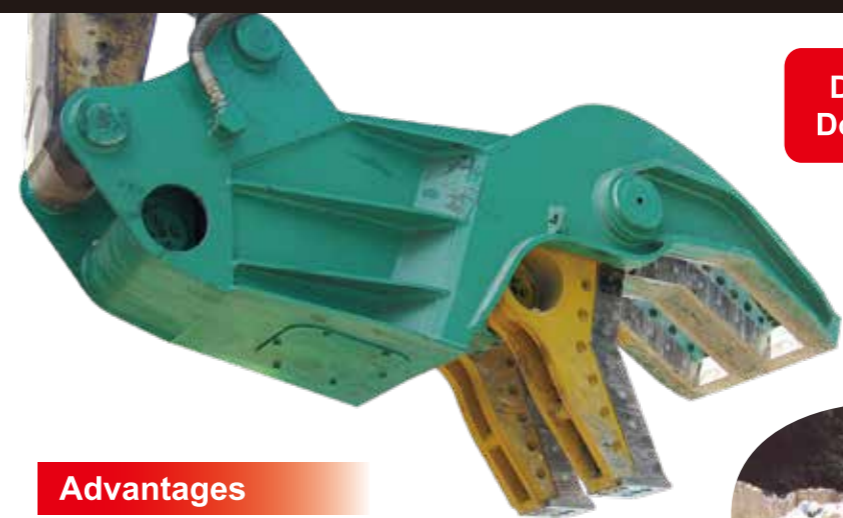


Able to cut truck tyre (remove the tyre wire before hand)

Model	UZ-70F	UZ-120F	UZ-200F	UZ-300F	UZ-400F
Excavator Weight (t)	6~7	10~15	20~25	30~35	40~60
Max. Opening Size (mm)	400	450	600	720	830
Overall Length (mm)	1800	2250	2500	3000	3600
Cutter Length (mm)	400	600	750	820	910
Cutting Power (t)	60	90	120	150	200
Overall Weight (kg)	650	1200	2200	3100	4500

Speed valve is optional

CUTTER FORCE



Double Blades Double Capacity

Advantages

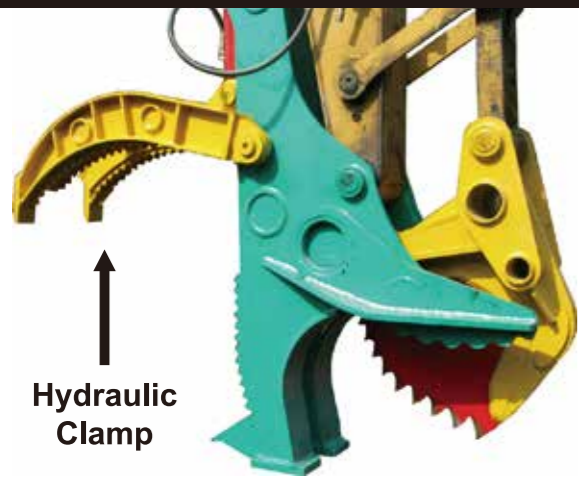
- Best for volume reduction of mixed waste.
- All blades are replaceable and made of HARDOX.
- Fishing net, waterproof vinyl, car tyre, waste plastic, waste woods can be cut off.
- Piano wire, hardened steel, truck tyre, H-beam, wirerope, concrete and stone need to be avoided.
- Speed valve is equipped as standard.



Model	CF-70	CF-120	CF-200	CF-300
Excavator Weight (t)	6~7	10~15	20~25	30~35
Cutter Length (mm)	400	500	620	750
Max. Opening Size (mm)	450	650	850	950
Oil Pressure (Mpa)	28	32	32	32
Overall Length (mm)	1200	2000	3280	3700
Overall Weight (kg)	750	1200	2150	2680
Speed Valve	Option	Equipped	Equipped	Equipped

CLAMP ALLIGATOR

Video here → 



Hydraulic Clamp

Advantages

- Mechanical structure, easy maintenance
- Movable saw blade is using the power of arm cylinder.
- Sharp cutting power with our own special saw design
- Drain line is not necessary.

Model	FWV-70	FWV-120	FWV-200
Excavator Weight (t)	6~7	12~13	20~25
Cutter Blade	Saw Blade	Saw Blade	Saw Blade
Max. Opening Size (mm)	410	820	1000
Max. Cutting Diameter (mm)	300	500	600
Dimensions (mm)	1500x390x980	2170x480x1450	2500x620x1650
Overall Weight (kg)	900	1220	1950

FWV: Clamp Alligator with Clamp / WV: Alligator without Clamp

U-bend for Installation

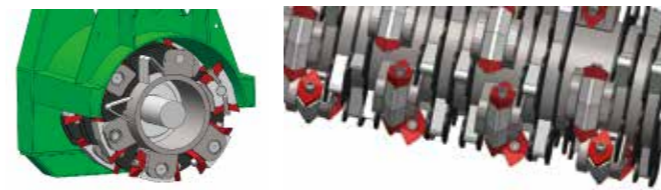


SUPER BRUSH CHOPPER

Video here → 



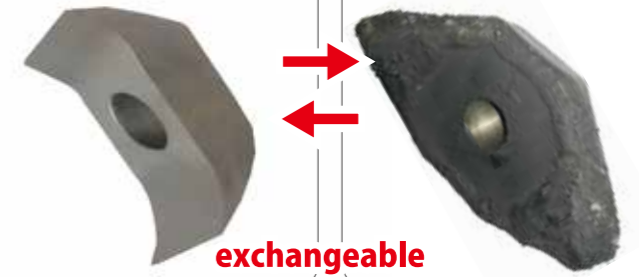
Cut from top or trunk of the tree



Select different blades for different operating conditions

A Type Blade
(Die Steel)
Suitable for
Standing Tree
Fallen Tree

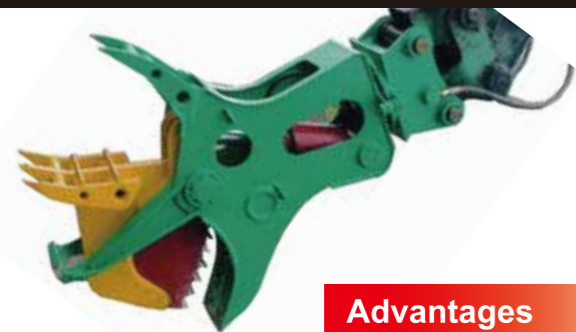
B Type Blade
(Tungsten Carbide)
Suitable for
Standing Tree
Stump



exchangeable

Model	SBC-70	SBC-120	SBC-200
Excavator Weight (t)	6~7	10~15	20~25
Rotor Width (mm)	600	950	1300
Rotating Speed (rpm)	1400	1600	1600
Numbers of Blades	11	16	24
Cutting Diameter (mm)	250	300	400
Oil Pressure (Mpa)	24.5	24.5	24.5
Oil Flow (l/min)	90	150	220
Overall Weight (kg)	650	1000	1700

ECO ALLIGATOR

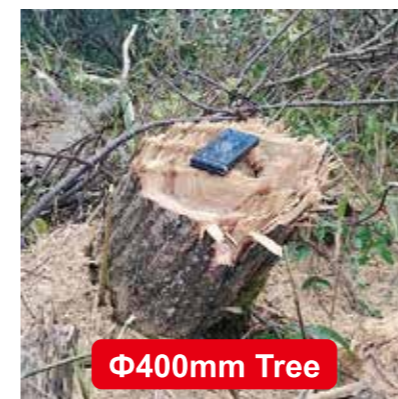


Advantages

- Cutting and Grapping only with one cylinder
- Drain line is necessary.



Model	GW-70V	GW-120V	GW-200V
Excavator Weight (t)	6~7	10~15	20~25
Cutter Blade	Saw Blade	Saw Blade	Saw Blade
Max. Opening Size (mm)	500	750	900
Max. Cutting Diameter (mm)	300	400	500
Oil Pressure (MPa)	28	32	32
Dimensions (mm)	1850x540x840	2260x680x1190	2850x720x1500
Overall Weight (kg)	800	1250	1950



Φ400mm Tree



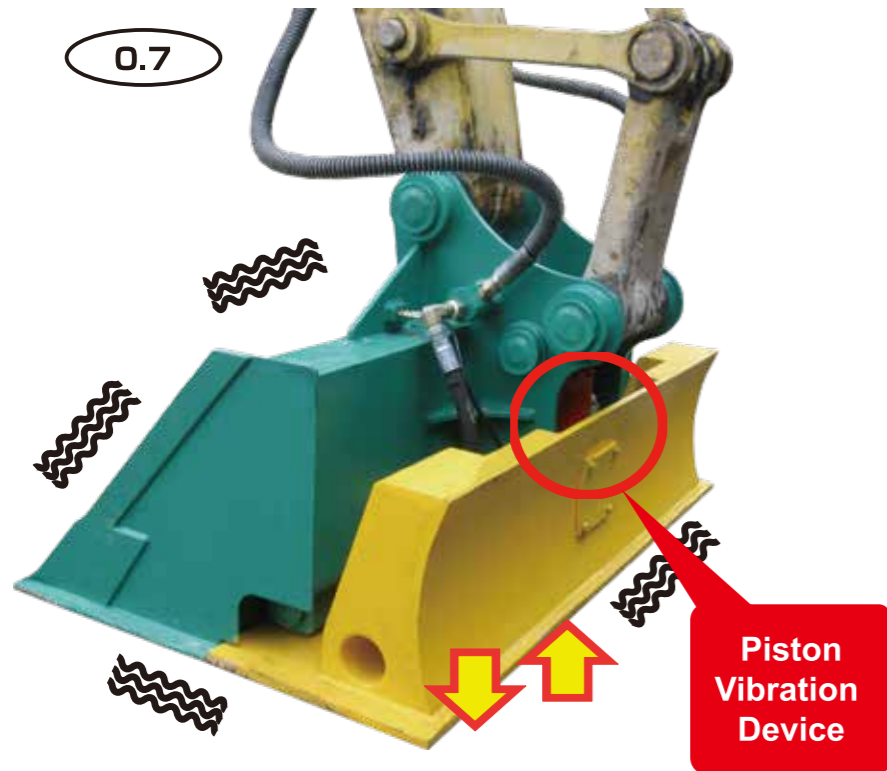
- Smashing tree, bamboo, grass and for ground foundation
- 360 degree rotation can always keep best cutting angle in different places (optional)
- Easy maintenance because of bolt-on blades
- More durable with **Tungsten Carbide Blades**
- **Die Steel Blades** for better cutting performance
- Drain line is necessary

VIBRO SLOPE BUCKET

Video here → 

VIBRO BUCKET KING-SLOPE

Video here → 



- Eccentric Vibration
- Low Noise Level and Low Vibration to the Cab

Model	TTN-70	TTN-120	TTN-200
Excavator Weight (t)	6 ~ 9	10 ~ 16	18 ~ 26
Bucket Capacity (m3)	0.2	0.4	0.6
Bucket Width (mm)	900	1500	2000
Vibrations Frequency (vpm)	1200	1200	1200
Compaction Power (ton)	12	20	28
Vibration Stroke (mm)	3	3	3
Oil Flow (l/min)	45 ~ 60	60 ~ 90	90 ~ 120
Oil Pressure (kg)	28	32	32
Overall Weight (kg)	450	1100	1300



VIBRO BUCKET KING

Video here → 

Advantages

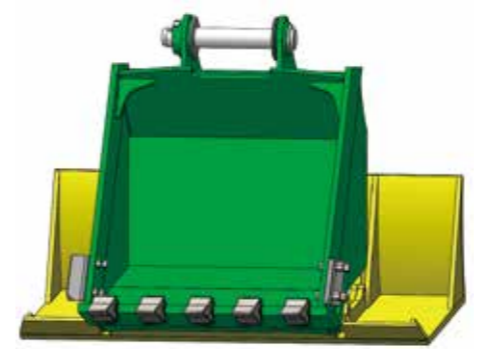
- Wide bucket with vibration function.
- Suitable for large area construction, such as levees construction, slope surface protection works, river construction, etc.
- Piston vibration device with strong compaction, will not damage the excavator.
- Drain line is not necessary.

Model	TNB-70	TNB-120	TNB-200
Excavator Weight (t)	6 ~ 9	10 ~ 16	18 ~ 26
Bucket Capacity (m3)	0.2	0.4	0.6
Bucket Width (mm)	900	1500	2000
Vibration Plate Width (mm)	900	1400	1900
Vibration Frequency (vpm)	1800	1800	1800
Vibration Power (t)	12.1	19.8	27.5
Vibration Amplitude (mm)	2 ~ 10	2 ~ 10	2 ~ 10
Oil Pressure (MPa)	28	28	28
Overall Weight (kg)	520	1050	1450



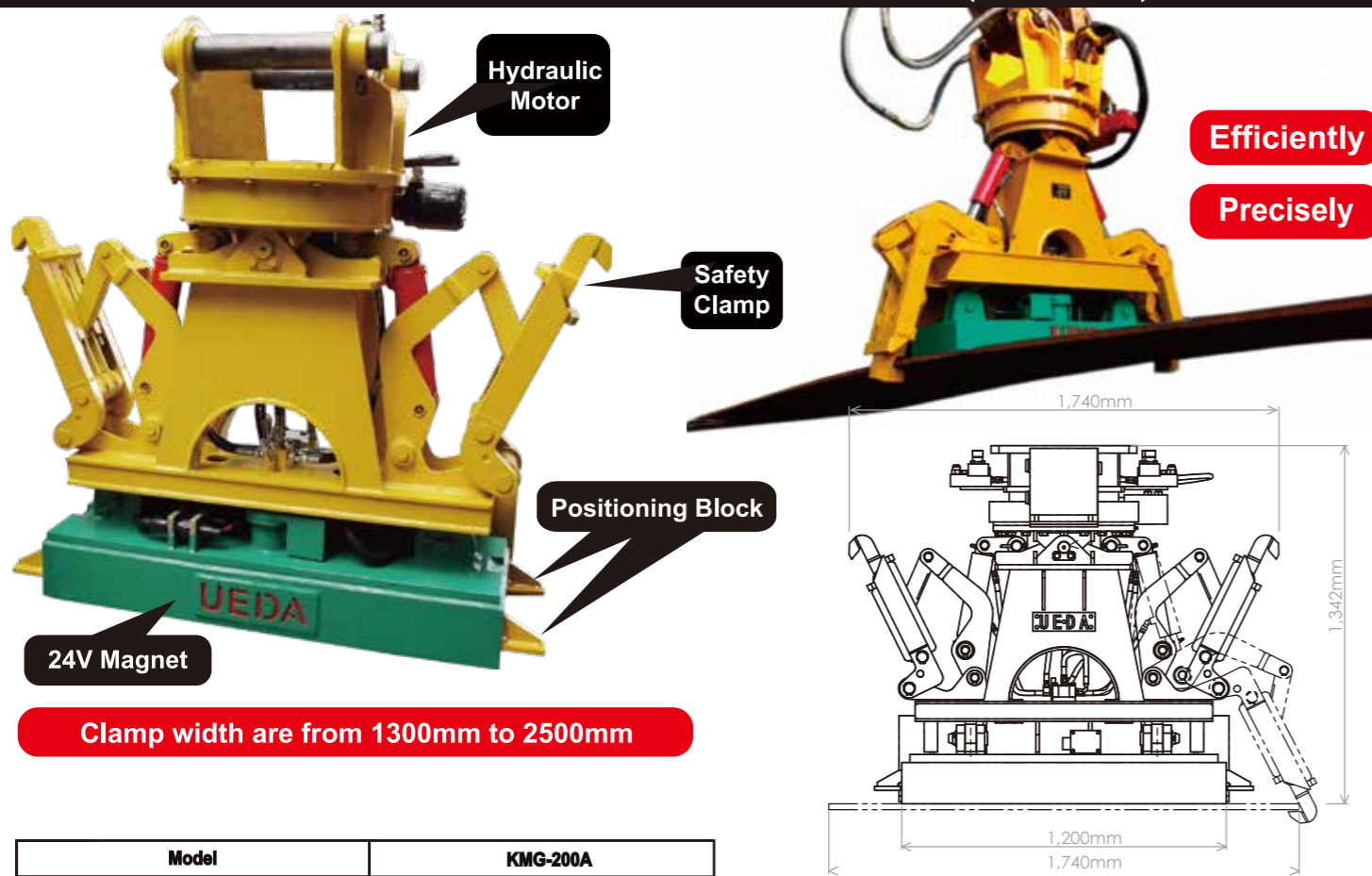
Advantages

- Eccentric Vibration
- Low Noise Level and Low Vibration to the Cab
- 20 degree lifted of front plate for better controlling



Model	TT-40	TT-50	TT-70	TT-120	TT-200
Excavator Weight (t)	4~5	6 ~ 7	7 ~ 9	10 ~ 16	18 ~ 26
Bucket Capacity (m3)	0.12	0.18	0.23	0.38	0.65
Bucket Width (mm)	400	500	600	800	1000
Vibration Plate Width (mm)	400	500	600	750	980
Vibration Frequency (vpm)	1800	1800	1800	1800	1800
Vibration Power (t)	4.4	8	12.4	19.8	27.5
Vibration Amplitude (mm)	6	6	6	6	6
Oil Pressure (MPa)	21	25	28	28	28
Overall Weight (kg)	280	350	450	900	1300

STEEL PLATE MAGNET (24V)



Clamp width are from 1300mm to 2500mm

Model	KMG-200A	
Excavator Weight (ton)	12 - 25	
Magnet Dimensions (mm)	1,200(L) x 400(W) x 150(H)	
Voltage (V)	24	
Electric Current (A)	48	
Max. Lifting Weight (kg)	2,000	
Max. clamp width (mm)	1,300 - 1,740	
	(ft) 5	
Rotation	360 degree	
Oil Pressure (MPa)	25	
Overall Dimensions (mm)	1,375(L) x 760(W) x 1,060(H)	
Overall Weight (kg)	1,300	

Advantages

- Double protection with magnet and clamp.
- Lifting with magnet, holding with clamp.
- Placing more precisely with 360 degree rotation
- No need with hooks and chains, much increased working efficiency and safety.
- No extra power pack, only using battery power from excavator.

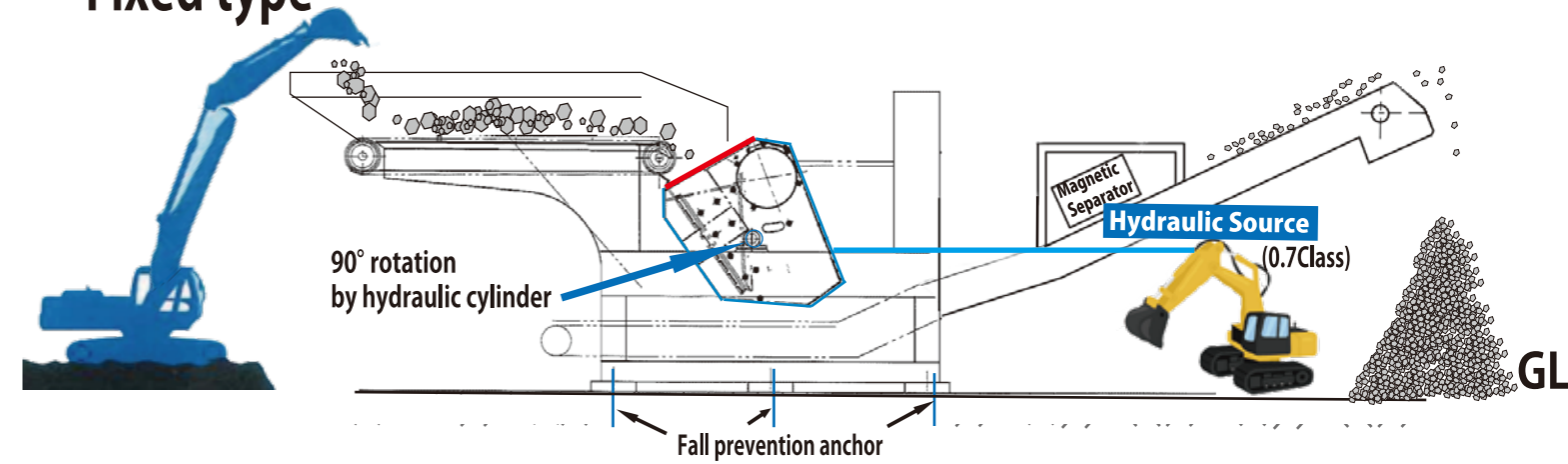
Supported Steel Plate Sizes

Metric units	Model	KMG-200A					KMG-200U	
	Width (mm)	1,300	1,500	1,500	1,700	1,800	1,800	2,045
Length (mm)	6,000	5,000	6,000	5,000	6,000	6,000	6,000	
Thickness (mm)	13	15	15	15	15	15	15	
Weight (kg)	800	900	1,080	1,020	1,300	1,300	1,300	

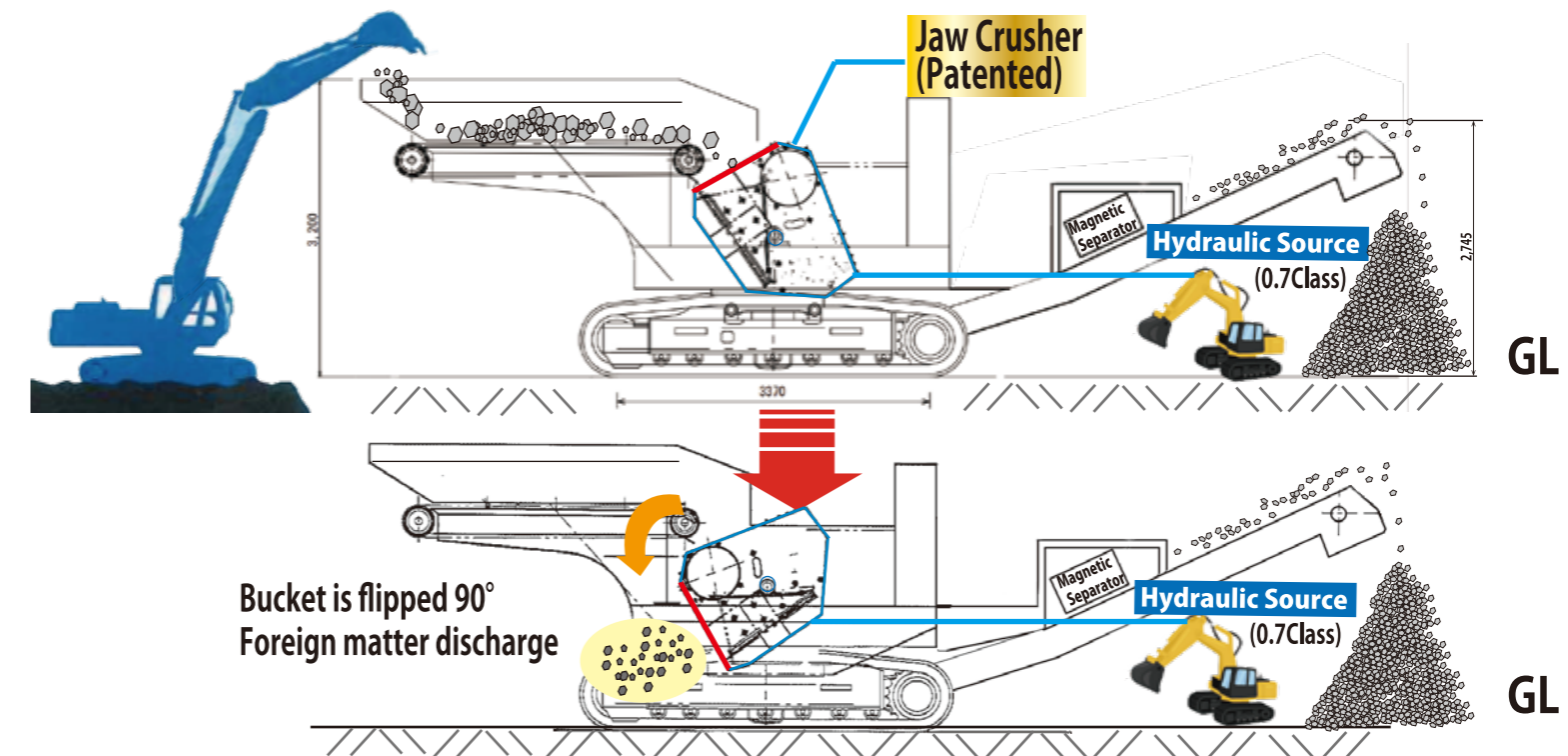
Imperial units	Model	KMG-200A					KMG-200U	
	Width (ft)	5	5	6	8	8	8	8
Length (ft)	8	10	10	10	12	16	20	
Thickness (in)	1	1	1	1	1	1	1	
Weight (lbs)	1,634	2,042	2,545	3,267	3,921	5,248	6,534	

NEW CRUSHER Series

Fixed type



Felf-propelled type



Felf-propelled type (Internal Engine)

